



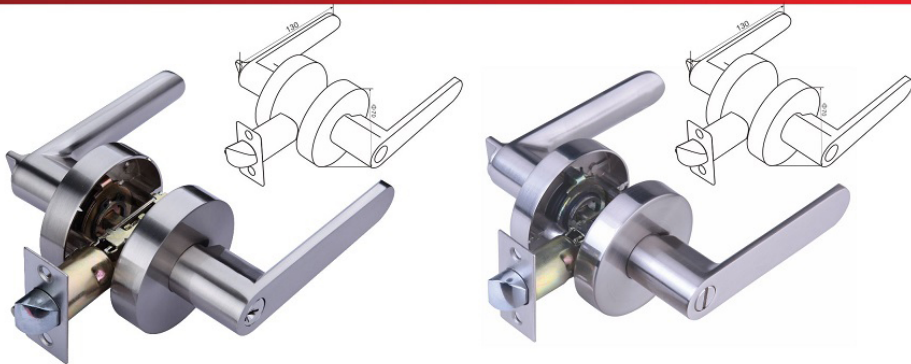
RENOVATION SUPPLIES - WHEN QUALITY & PRICING MATTER

Knob Lock

RENOVATION SUPPLIES - WHEN QUALITY & PRICING MATTER

HIGH QUALITY

Grade 2 Tubular Lever Locks



Item No : 561SS

Color: Stain Nickel

Material: Zinc Alloy

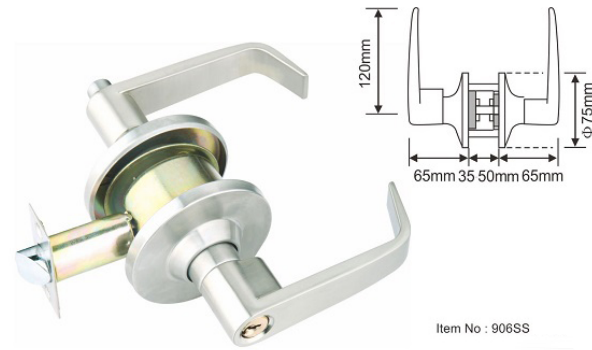
Item No : 562SS/BK

Color: Stain Nickel

Material: Zinc Alloy

CYLINDRICAL

Grade 2 Knob Lock Series



Item No : 906SS

Color: Stain Nickel

Material: Zinc Alloy

AB	AC	SS
----	----	----

Carton Dimension(cm):45x36x37

Packing:16pcs/Carton
 ◆ NW:18 kg G.W: 19kg

For door thickness: 35-55mm
 Distance of centre: 45-60mm
 Kinds of keys: Computer key/common key
 Function: Door lock, channel, bathroom

GRADE 2 CYLINDRICAL KNOB Lock Series



Item No : D103SS

Color: Stain Nickel

Material: Stainless Steel

Item No : D104SS

Color: Stain Nickel

Material: Stainless Steel

Item No : D105SS

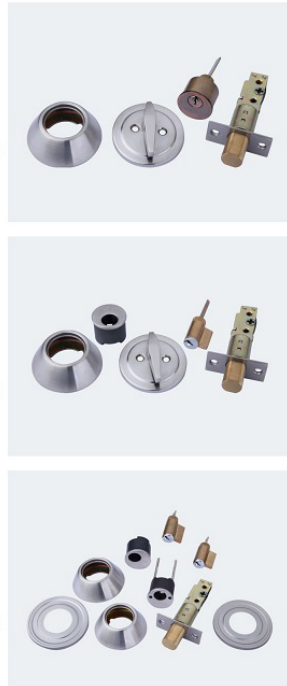
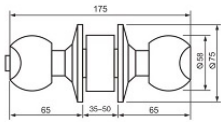
Color: Stain Nickel

Material: Stainless Steel

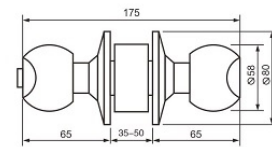
Item No.: 906SS

Color: Satin Nickel

Material: Stainless Steel



GRADE 2 CYLINDRICAL KNOB Lock Series



Item No : 591SS

Color: Stain Steel

Material: Stainless steel

Item No : 591BK

Color: Stain Steel

Material: Stainless steel

Carton Dimension(cm):45x36x37

Packing:16pcs/Carton
 ◆ NW:16 kg G.W: 17kg

For door thickness: 35-55mm
 Distance of centre: 45-60mm
 Kinds of keys: Computer key/common key
 Function: Door lock, channel, bathroom



RENOVATION SUPPLIES - WHEN QUALITY & PRICING MATTER

HIGH QUALITY

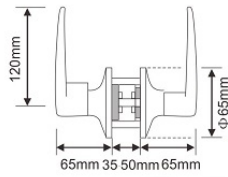
Tubular Lever Locks



Item No.: SG802SS
Color: Satin Nickel
Material: Zinc Alloy



Item No.: SG802AB
Color: Antique Brass
Material: Zinc Alloy



Carton Dimension(cm) :45x36x37
Packing:16pcs/Carton
N.W:13kg G.W:14kg

AB	AC	SS	SA
----	----	----	----



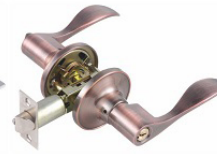
For door thickness: 35-55mm
Distance of centre: 45-60mm
Kinds of keys: Computer key/common key
Function: Door lock, channel, bathroom

HIGH QUALITY

Tubular Lever Locks



Item No.: SG807SS
Color: Stain Steel
Material: Zinc Alloy



Item No.: SG807AC
Color: Antique Copper
Material: Zinc Alloy



Item No.: SG809AB
Color: Antique Brass
Material: Zinc Alloy



Item No.: SG809SA
Color: Golden
Material: Zinc Alloy

AB	AC	SS	SA
----	----	----	----



For door thickness: 35-55mm
Distance of centre: 45-60mm
Kinds of keys: Computer key/common key
Function: Door lock, channel, bathroom



Item No.: SG803SA
Color: Polish Brass
Material: Zinc Alloy



Item No.: SG803SS
Color: Stain Steel
Material: Zinc Alloy



Item No.: SG804SS
Color: Stain Steel
Material: Zinc Alloy



Item No.: SG804AB
Color: Antique Brass
Material: Zinc Alloy



Item No.: SG810SC
Color: Satin brass
Material: Zinc Alloy



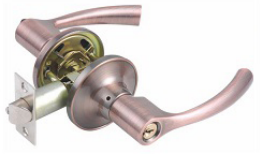
Item No.: SG810SS
Color: Stain Steel
Material: Zinc Alloy



Item No.: SG801SS
Color: Stain Steel
Material: Zinc Alloy



Item No.: SG801AB
Color: Antique Brass
Material: Zinc Alloy



Item No.: SG805AC
Color: Antique Copper
Material: Zinc Alloy



Item No.: SG805SS
Color: Stain Steel
Material: Zinc Alloy



Item No.: SG806AB
Color: Antique Brass
Material: Zinc Alloy



Item No.: SG806SS
Color: Stain Steel
Material: Zinc Alloy



Item No.: SG812SS
Color: Stain Steel
Material: Zinc Alloy



Item No.: SG813AB
Color: Stain Nickel
Material: Zinc Alloy



Item No.: SG814AB
Color: Antique Brass
Material: Zinc Alloy



Item No.: SG815AB
Color: Antique Brass
Material: Zinc Alloy

RENOVATION SUPPLIES - WHEN QUALITY & PRICING MATTER

HIGH QUALITY

Zinc Cylindrical Knob Lock Series



HIGH QUALITY

Zinc Cylindrical Knob Lock Series

AB AC SS SS/PB BN/PB

Carton Dimension(cm):45x36x37
 Packing:16pcs/Carton
 ◆NW:22 kg G.W:23kg

Item No : 5822BN/PB
 Color: Black Nickel And Polish Brass
 Material: Zinc Alloy

◆ Latch 60/70mm
 ◆ Door Thickness:35mm-55mm

Item No : 5892SS/PB
 Color: Satin Nickel And Polish Brass
 Material: Zinc Alloy

Item No : 5892SS
 Color: Satin Nickel
 Material: Zinc Alloy

Item No : 5880SS
 Color: Satin Nickel
 Material: Zinc Alloy

Item No : 5881BN/PB
 Color: Black Nickel And Polish Brass
 Material: Zinc Alloy

Item No : 5882SS
 Color: Satin Nickel
 Material: Zinc Alloy

Item No : 5883BN/PB
 Color: Black Nickel And Polish Brass
 Material: Zinc Alloy

Item No : 5884AB
 Color: Antique Brass
 Material: Zinc Alloy

Item No : 5885SS
 Color: Satin nickel
 Material: Zinc Alloy

Item No : 5886AC
 Color: Antique Copper
 Material: Zinc Alloy

Item No : 5887SS
 Color: Satin nickel
 Material: Zinc Alloy

Item No : 5888BN/PB
 Color: Black Nickel And Polish Brass
 Material: Zinc Alloy

Item No : 5886BN/PB
 Color: Black Nickel And Polish Brass
 Material: Zinc Alloy

Item No : 5887SS/PB
 Color: Black Nickel And Polish Brass
 Material: Zinc Alloy

Item No : 5891SS
 Color: Satin nickel
 Material: Zinc Alloy

AB AC SS SS/PB BN/PB



RENOVATION SUPPLIES - WHEN QUALITY & PRICING MATTER

HIGH QUALITY Cylindrical Knob Lock Series



Item No : 5860AC
Color: Antique Copper
Material: Iron



Item No : 5861AC
Color: Antique Copper
Material: Iron



Item No : 5862AC
Color: Antique Copper
Material: Iron



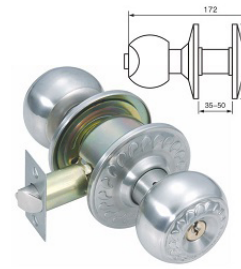
Item No : 5863AC
Color: Antique Copper
Material: Iron



Item No : 5864AC
Color: Antique Copper
Material: Iron



Item No : 5865AC
Color: Antique Copper
Material: Iron



Item No : 5877SS
Color: Satin Steel
Material: Stainless Steel



Item No : 5878AC
Color: Antique Copper
Material: Iron



Item No : 5879AC
Color: Antique Copper
Material: Iron

HIGH QUALITY Cylindrical Knob Lock Series



Item No : 587CC
Color: Stain Steel
Material: Stainless Steel



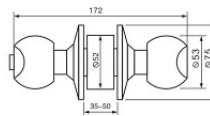
Item No : 587CA
Color: Plish Steel
Material: Stainless Steel



Item No : 587CC
Color: Stain Steel
Material: Stainless Steel



Item No : 587SA
Color: Plish Brass
Material: Copper



Item No : 587SC
Color: Stain Brass
Material: Copper



Item No : 587SA
Color: Plish Brass
Material: Copper

Carton Dimension(cm):46x19x49

Packing:30pcs/Carton
◆NW:16kg G.W: 17kg



Item No : 587AB
Color: Antique Brass
Material: Iron



Item No : 587AB
Color: Antique Brass
Material: Iron



Item No : 587CC
Color: Stain Steel
Material: Stainless Steel

RENOVATION SUPPLIES - WHEN QUALITY & PRICING MATTER

HIGH QUALITY

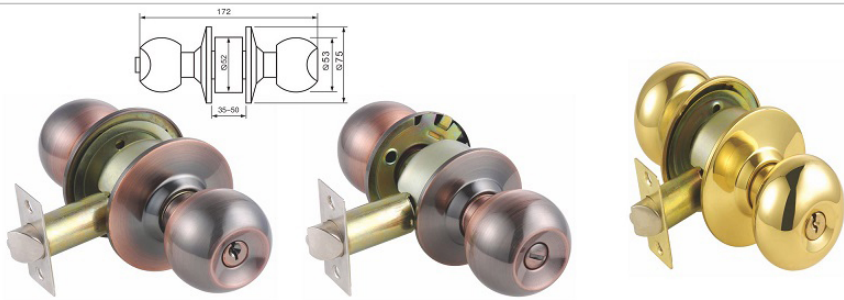
Cylindrical Knob Lock Series



Item No : 5871BA
Color: Rosewood
Material: Wood

Item No : 5791BA
Color: Rosewood
Material: Wood

Item No : 589BA
Color: Rosewood
Material: Wood



Item No : 5871AC
Color: Antique Copper
Material: Iron

Item No : 587AC
Color: Antique Copper
Material: Iron

Item No.: 5791SA
Color: Polish Brass
Material: Copper



Item No.: 5791CC
Color: Satin Steel
Material: Stainless Steel

Item No : 5791CC
Color: Satin steel
Material: Stainless Steel

Item No.: 5791CA
Color: Polish Steel
Material: Stainless Steel

HIGH QUALITY

Cylindrical Knob Lock Series



Item No.: 5872CC
Color: Satin Steel
Material: Stainless Steel

Item No.: 5873CC
Color: Satin Steel
Material: Stainless Steel

Item No.: 5874CC
Color: Satin Steel
Material: Stainless Steel



Item No.: 5871CC
Color: Satin Steel
Material: Stainless Steel

Item No : 5791CC
Color: Satin steel
Material: Stainless Steel

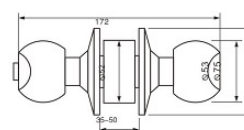
Item No : 5866CD
Color: Double Steel Loop
Material: Stainless Steel



Item No : 5831CC
Color: Satin Steel
Material: Stainless Steel

Item No : 5731CD
Color: Double Steel Loop
Material: Stainless Steel

Item No : 5866CC
Color: Satin steel
Material: Stainless Steel



AB	AC	CC	SA	SC
----	----	----	----	----

Carton Dimension(cm):46x19x49

Packing:30pcs/Carton
◆ N.W:16kg G.W:17kg

◆ Latch:60/70mm
◆ Door Thickness:35mm-55mm



RENOVATION SUPPLIES - WHEN QUALITY & PRICING MATTER

HIGH QUALITY Cylindrical Knob Lock Series



Item No : 592SS
Color: Satin steel
Material: Stainless Steel



Item No : 5875AC
Color: Satin Nickel And Polish Brass
Material: Stainless Steel



Item No.: 592BN/PB
Color: Black Nickel And Polish Brass
Material: Iron



Item No : 592SS/NP
Color: Antique Copper And Polish Steel
Material: Iron



Item No : 5878CD
Color: Double Steel Loop
Material: Stainless Steel



Item No : 5877CD
Color: Double Steel Loop
Material: Stainless Steel



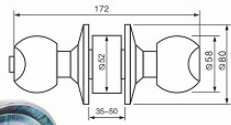
Item No : 5831CD
Color: Double Steel Loop
Material: Stainless Steel



Item No.: 5732CD
Color: Double Steel Loop
Material: Stainless Steel



Item No.: 5792CC
Color: Satin Steel
Material: Stainless Steel



HIGH QUALITY Cylindrical Knob Lock Series



Item No.: 5831CD
Color: Double Steel Loop
Material: Stainless Steel



Item No.: 5831SD
Color: Double Brass Loop
Material: Copper

Carton Dimension(cm):46x19x49
Packing:30pcs/Carton
N.W:16kg G.W:17kg



Item No.: 5731CD
Color: Double Steel Loop
Material: Stainless Steel



Item No.: 5731SD
Color: Double Brass Loop
Material: Copper



Item No.: 5791CD
Color: Double Steel Loop
Material: Stainless Steel



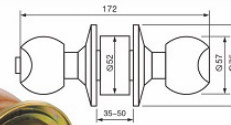
Item No.: 5791SD
Color: Double Brass Loop
Material: Copper



Item No.: 5831BB
Color: Beech Wood



Item No.: 5831DD
Color: Marble



RENOVATION SUPPLIES - WHEN QUALITY & PRICING MATTER

CHUANGQI LOCK

Entirety Ball Tubular Knob Locks



Item No.: SG6071SA
Color: Polish Brass
Material: Copper



Item No.: SG6071SN
Color: Polish Brass
Material: Copper



Item No.: SG6071AB
Color: Antique Brass
Material: Copper



Item No.: SG6072AB
Color: Antique Brass
Material: Copper



Item No.: SG6074SS
Color: Satin Steel
Material: Stainless Steel



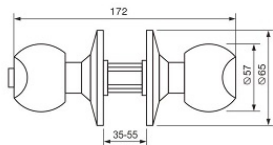
Item No.: SG6073SA
Color: Polish Brass
Material: Copper



Item No.: SG6075SA
Color: Polish Brass
Material: Copper



Item No.: SG6076SA
Color: Polish Brass
Material: Copper



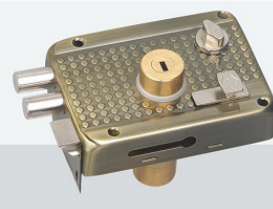
Carton Dimension(cm): 43x32x38.5
Packing: 24pcs/Carton
◆ N.W:16kg G.W:17kg

CHUANGQI LOCK

Luxury Rim Lock



Item No.: 9719AC
Color: Antique Copper
Material: Iron



Item No.: 9519AB
Color: Antique Brass
Material: Iron



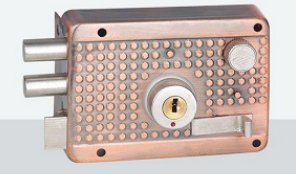
Item No.: 9619AC
Color: Antique Copper
Material: Iron



Item No.: 685G
Color: Golden
Material: Zinc Alloy



Item No.: 9219SS
Color: Cross White Chromium
Material: Iron



Item No.: 9319AC
Color: Antique Copper
Material: Iron



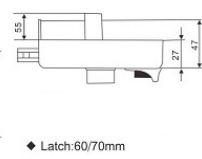
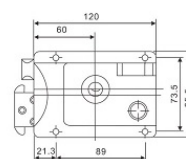
Item No.: 9419SS
Color: White Chromium
Material: Iron



Item No.: 9328SS
Color: White Chromium
Material: Iron



Item No.: 9338SS
Color: Satin Steel
Material: Stainless Steel



AB AC SS

Carton Dimension(cm): 38x26x28
Packing: 30pcs/Carton
◆ NW:20 kg G.W:21kg

◆ Latch: 60/70mm
◆ Door Thickness: 35mm-55mm